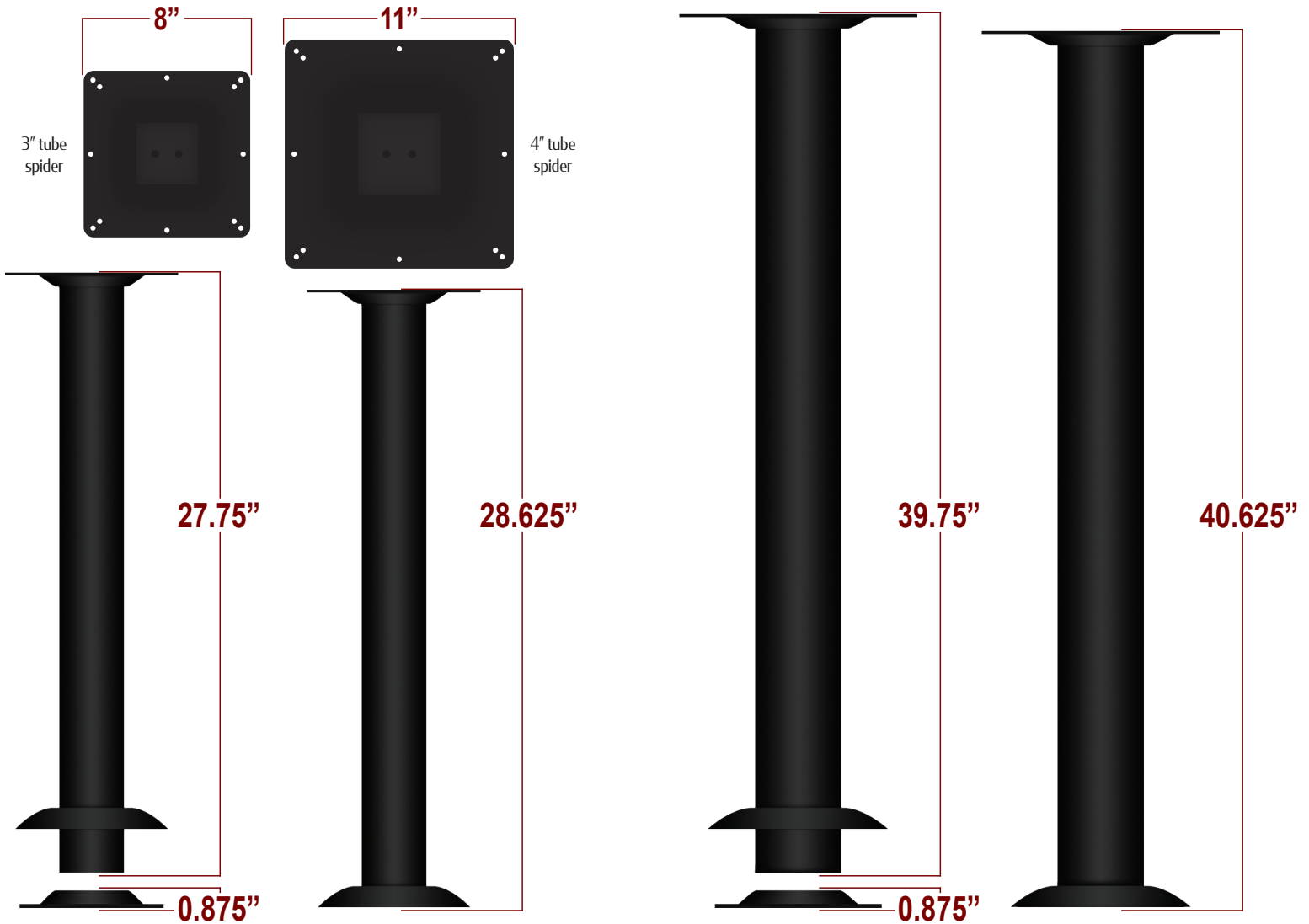


255 Welter Drive
Monticello, IA 52310

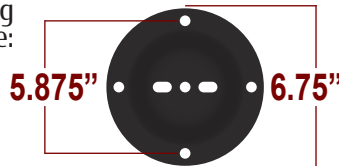


P: 877.465.4344
F: 877.465.4042
www.oakstreetmfg.com

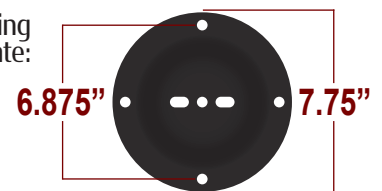
BOLT DOWN BASES - BLACK SANDTEX FINISH



3" Mounting Plate:



4" Mounting Plate:



- Constructed of cast iron with black sandtex finish
 - Labor saver tube/spider
 - Anchoring hardware (to floor) is not supplied
- Spider is welded to the tube for added strength
- Spider dimensions:
 - 3" tubes = 8" x 8" - 11" diagonally
 - 4" tubes = 11" x 11" - 15" diagonally
- Oak Street's spiders are bigger than most competitor's spiders - providing additional strength & durability
- Standard height overall height: 28.625" (tube + mounting plate)
- Bar height overall height: 40.625" (tube + mounting plate)
- Bolt down bases should not be spaced more than 36" apart
- Cast iron bases are warranted for all Oak Street tops, excluding granite and/or tops that are oversized & more than 6 lbs/ft²
- Each bolt down base includes tube, spider, mounting plate & cover plate

Description	Warehouse	Part #	Approx. Weight
Standard height bolt down base with 3" labor saver tube	IA, NC, CA	BDB-STD	10 lbs
Bar height bolt down base with 3" labor saver tube	IA, NC, CA	BDB-BAR	12 lbs
Standard height bolt down base with 4" labor saver tube	IA, NC	BDB-4-STD	12 lbs
Bar height bolt down base with 4" labor saver tube	IA, NC	BDB-4-BAR	14 lbs