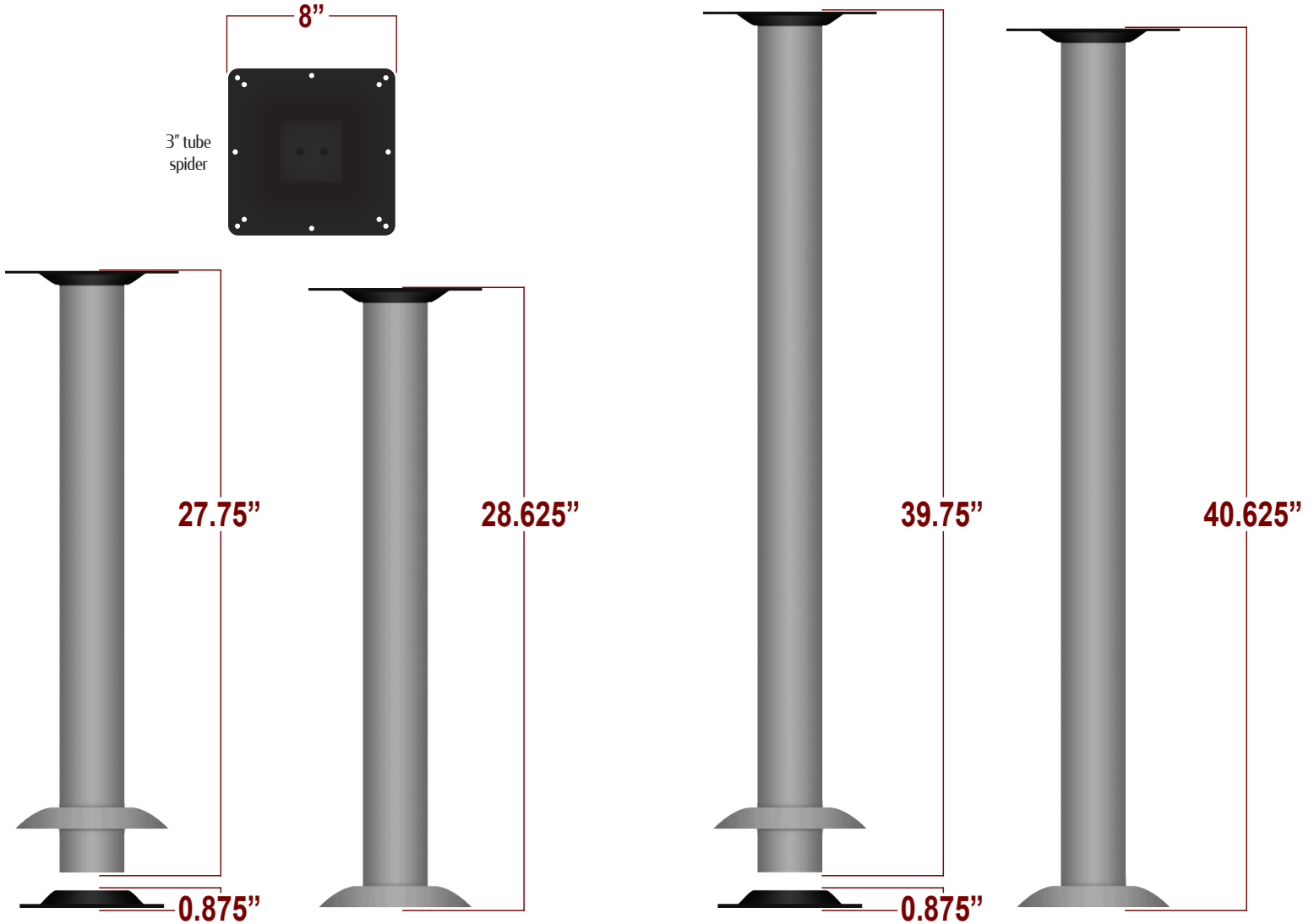


255 Welter Drive
Monticello, IA 52310



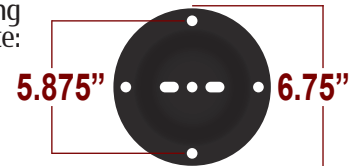
P: 877.465.4344
F: 877.465.4042
www.oakstreetmfg.com

BOLT DOWN BASES - CHROME PLATED



- Constructed of cast iron with chrome-plated finish
 - 3-piece assembly - spider, tube & mounting plate
 - Anchoring hardware (to floor) is not supplied
- Spider gets bolted to the tube (assembly required)
- Spider dimensions:
 - 3" tubes = 8" x 8" - 11" diagonally
- Oak Street's spiders are bigger than most competitor's spiders - providing additional strength & durability
- Standard height overall height: 28.625" (tube + mounting plate)
- Bar height overall height: 40.625" (tube + mounting plate)
- Bolt down bases should not be spaced more than 36" apart
- Cast iron bases are warranted for all Oak Street tops, excluding granite and/or tops that are oversized & more than 6 lbs/ft²
- Each bolt down base includes tube, spider, mounting plate & cover plate

3" Mounting Plate:



Description	Warehouse	Part #	Approx. Weight
Standard height bolt down base in chrome finish with 3" tube	IA, NC	BDB-CHR-STD	10 lbs
Bar height bolt down base in chrome finish with 3" tube	IA, NC	BDB-CHR-BAR	12 lbs