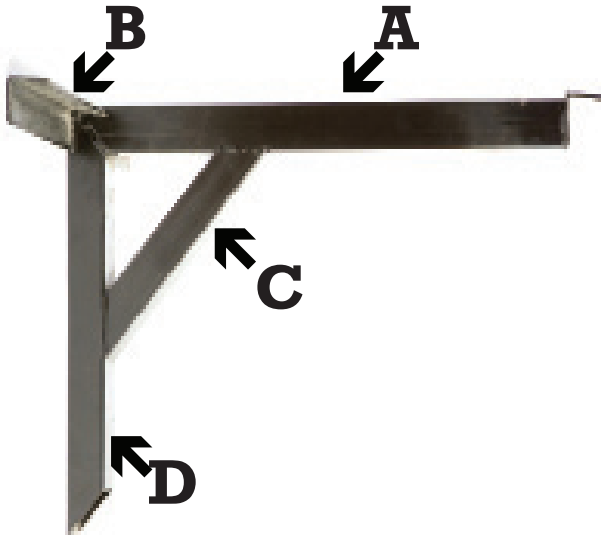


255 Welter Drive
 Monticello, IA 52310
 Phone: (877) 465-4344
 Fax: (877) 465-4042



www.oakstreetmfg.com

CANTILEVER WALL MOUNT BASE: B CANTILEVER



- Constructed of 11 gauge steel with gloss black finish
- Requires reinforced wall
- Screws and bolts not included in shipment even if table top ships together since Oak Street is not familiar with wall preparation
- 4 drill holes for wall attachment
- 4 drill holes each end of base for table top attachment
- Custom cantilevers are available for an upcharge - contact factory for pricing and lead time
- Cantilever weight: 26 lbs.
- F.O.B. Monticello, Iowa and Rancho Cucamonga, California

(A)	(B)	(C)	(D)
27-1/2"	21"	10"	17-1/2"

TABLE TOP SPECIFICATIONS:

TABLE TOP LENGTH:

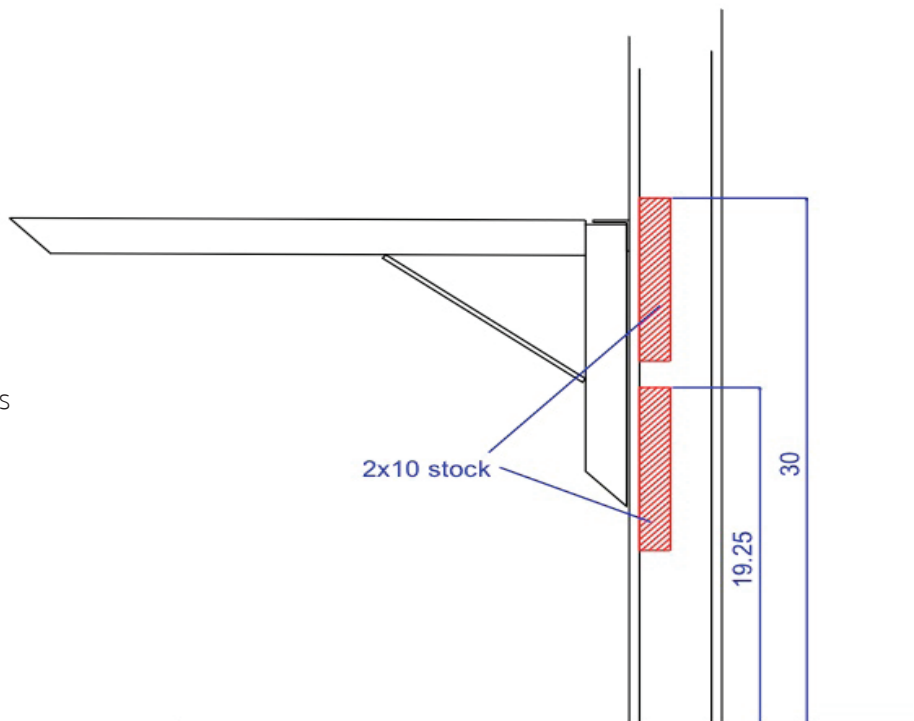
Maximum of 48" - longer table tops require pin leg at opposite side of wall

Minimum of 30"

TABLE TOP WIDTH:

Maximum of 36"

Minimum of 24"



Wall backing for cantilever bases