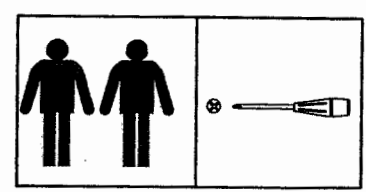
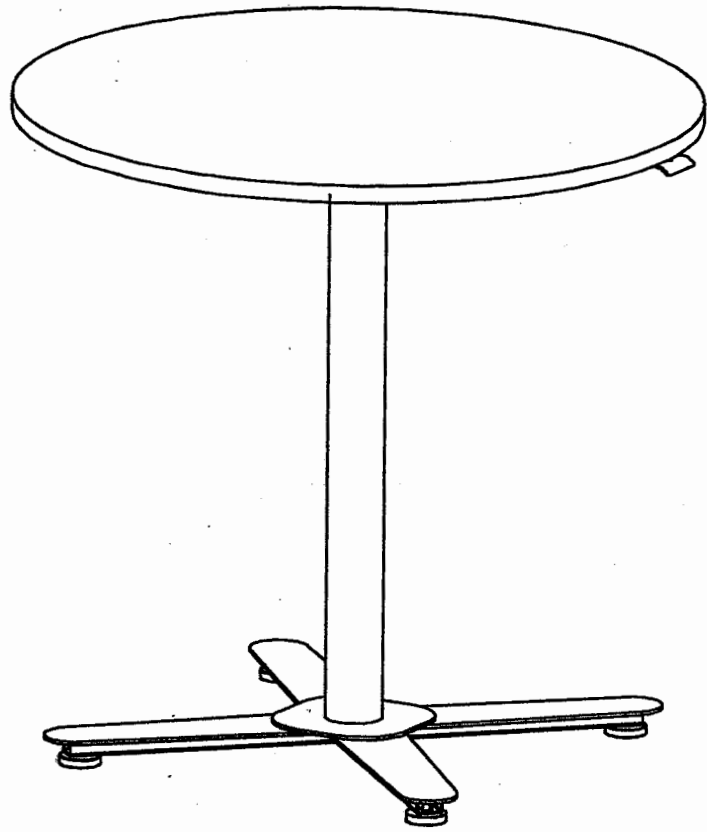
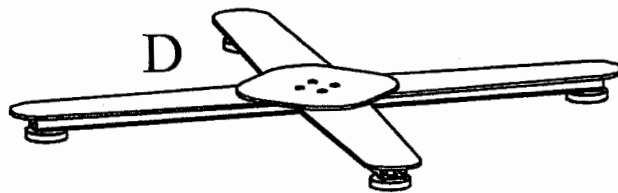
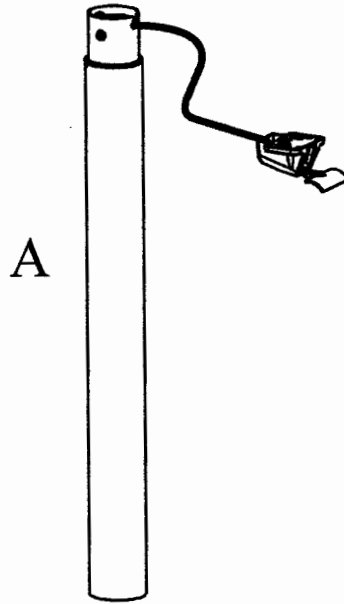
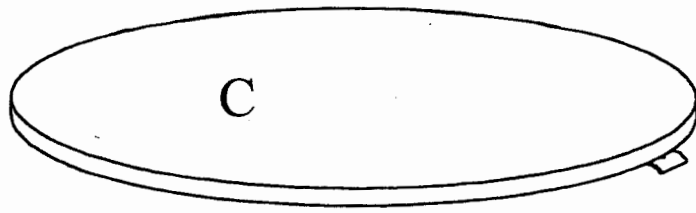










ASSEMBLY INSTRUCTION

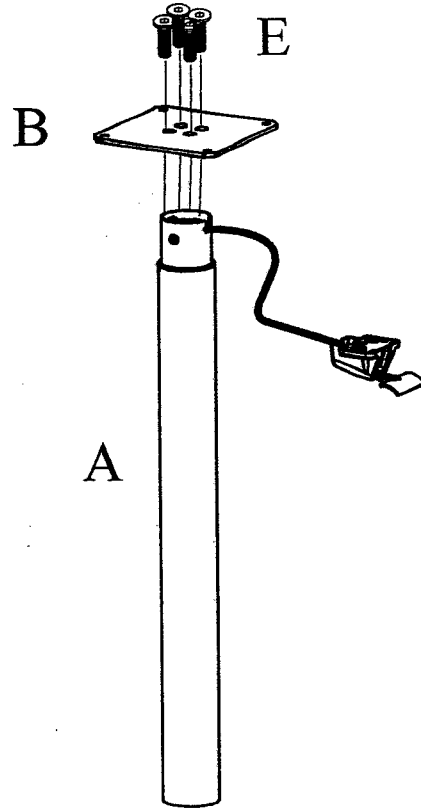
ITEM: PL-1002
FOR 2" 30R TABLE TOP





	Ex4	M6x25mm		Fx6	ST4x25mm
	Gx6	M4		Hx1	4mm
	Ix4			Jx4	M6x45mm

1

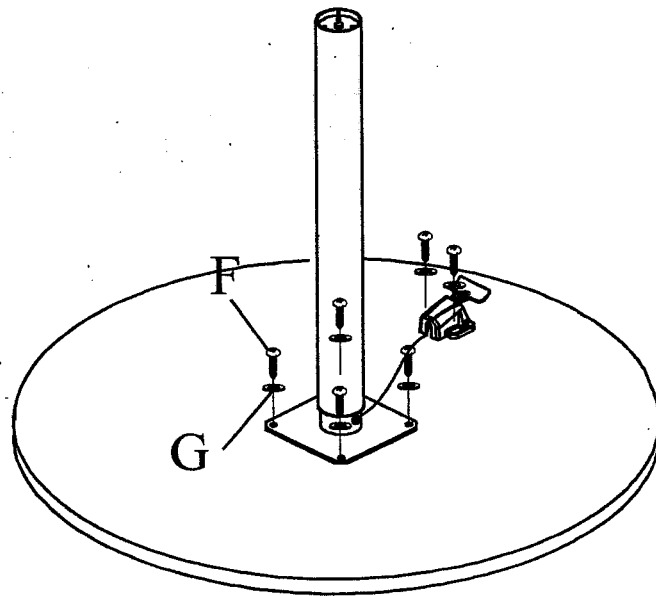


Ex4



Hx1

2

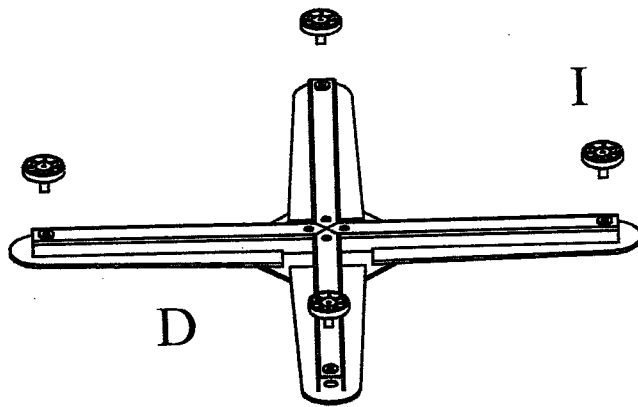


Fx6



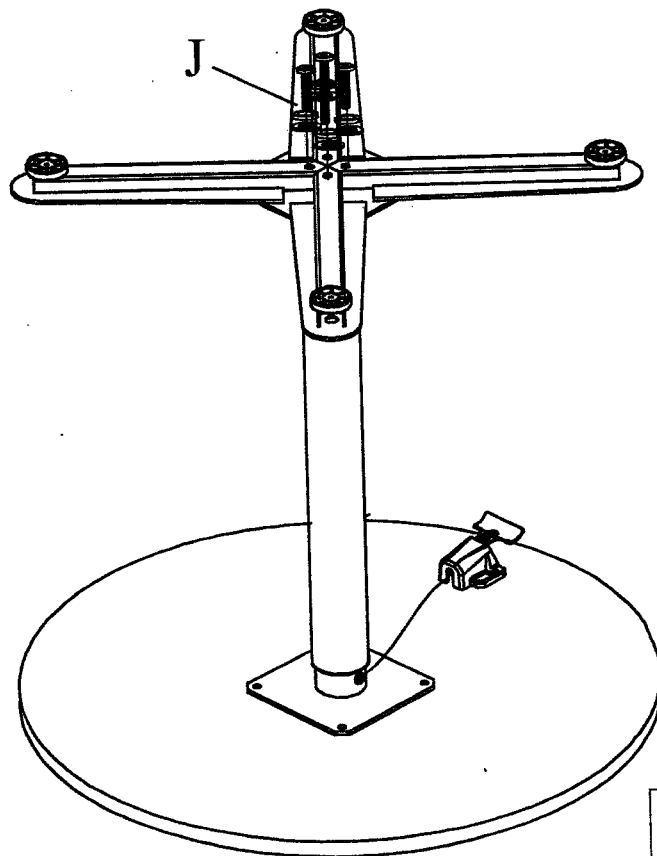
Gx6

3



Ix4

4

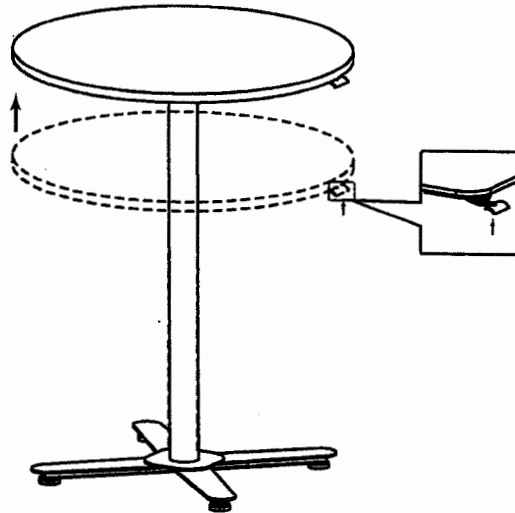


Jx4

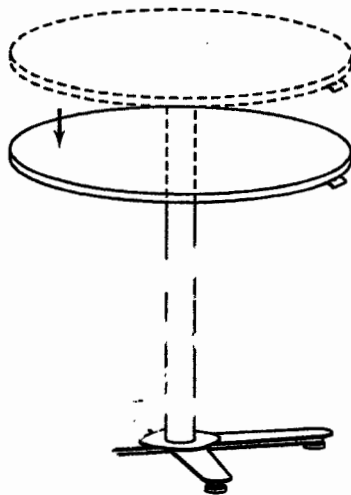


Hx1

Operating Manual



Lift the paddle for lifting the table top.



Lift the paddle and press the table top for downward operation.