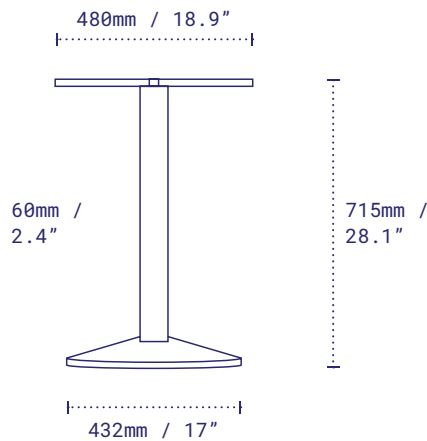


B17DISCNR-STD : DINING HEIGHT



Sol is your go-to for maximising space. Our neat cone-shaped disc base allows for our self-stabilising technology to sit under the column, like our x-bases, and then run seamlessly flush to the ground at the feet.

Pictured: Sol 17 Dining Height, Sandstone Black.

DETAILS

Material	Steel – Zinc Phosphate Disc and Column, Alodine Top Plate
Next-Level Protection	Available on Request
Height excl. table top	715mm / 28.1"
Base diameter	432mm / 17"
Column width	60mm - 2.4"
Top plate	Fixed
Net weight	9.1kg / 20.1lbs
Max recommended table top	<input type="radio"/> 800mm / 32" <input type="checkbox"/> 700mm / 28"
Resources	no-rock.com/product/sol1

PACKAGING

Carton	530 x 640 x 100mm / 20.8 x 25.2 x 3.9" x Box 1
Gross weight	10.6kg / 23.4lbs

STANDARD COLOR RANGE

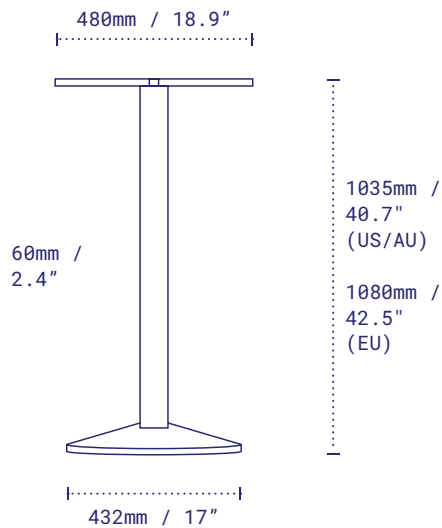
Sandstone Black



Sol 17 Bar



B17DISCNR-BAR : BAR HEIGHT



Sol is your go-to for maximising space. Our neat cone-shaped disc base allows for our self-stabilising technology to sit under the column, like our x-bases, and then run seamlessly flush to the ground at the feet.

Pictured: Sol 17 Dining Height, Sandstone Black.

DETAILS

Material	Steel – Zinc Phosphate Disc and Column, Alodine Top Plate
Next-Level Protection	Available on Request
Height excl. table top	1035mm / 40.7" Bar 1080mm / 42.5" Bar (EU only)
Base diameter	432mm / 17"
Column width	60mm - 2.4"
Top plate	Fixed
Net weight	9.9kg / 21.8lbs
Max recommended table top	○ 600mm / 24" □ 550mm / 22"
Resources	no-rock.com/product/sol

PACKAGING

Carton	450 x 450 x 90mm / 17.7 x 17.7 x 3.5" x Box 1 70 x 70 x 1035mm / 2.7 x 2.7 x 40.7" x Box 2
Gross weight	11kg / 24.2lbs

STANDARD COLOR RANGE

● Sandstone Black

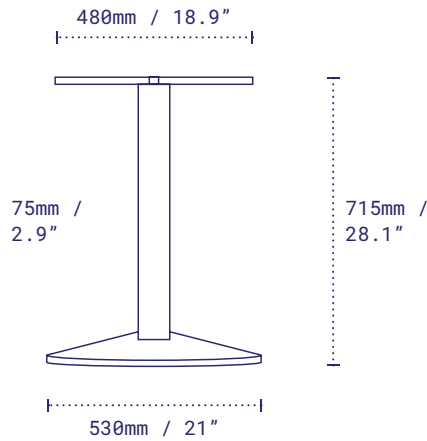


NR MARKETING PTY LTD
NOROCK USA LLC

JULY 2024

All product information is correct at the time of printing but may be subject to change without notice. For the latest information please visit our website.

B21DISCNR-STD : DINING HEIGHT



Sol is your go-to for maximising space. Our neat cone-shaped disc base allows for our self-stabilising technology to sit under the column, like our x-bases, and then run seamlessly flush to the ground at the feet.

Pictured: Sol 17 Dining Height, Sandstone Black.

DETAILS

Material	Steel – Zinc Phosphate Disc and Column, Alodine Top Plate
Next-Level Protection	Available on Request
Height excl. table top	715mm / 28.1"
Base diameter	530mm / 21"
Column width	75mm / 2.9"
Top plate	Fixed
Net weight	10.3kg / 22.7lbs
Max recommended table top	<input type="radio"/> 914mm / 36" <input type="checkbox"/> 800mm / 32"
Resources	no-rock.com/product/sol1

PACKAGING

Carton	650 x 650 x 100mm / 25.6 x 25.6 x 3.9" x Box 1
Gross weight	11.8kg / 26.0lbs

STANDARD COLOR RANGE

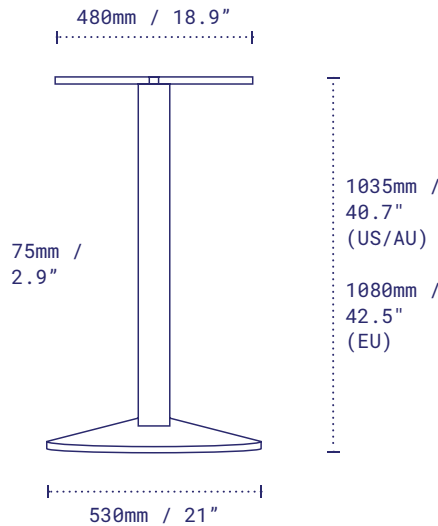
Sandstone Black



Sol 21 Bar



B21DISCNR-BAR : BAR HEIGHT



Sol is your go-to for maximising space. Our neat cone-shaped disc base allows for our self-stabilising technology to sit under the column, like our x-bases, and then run seamlessly flush to the ground at the feet.

Pictured: Sol 17 Dining Height, Sandstone Black.

DETAILS

Material	Steel – Zinc Phosphate Disc and Column, Alodine Top Plate
Next-Level Protection	Available on Request
Height excl. table top	1035mm / 40.7" Bar 1080mm / 42.5" Bar (EU only)
Base diameter	530mm / 21"
Column width	75mm - 2.9"
Top plate	Fixed
Net weight	11.4kg / 25.1lbs
Max recommended table top	○ 762mm / 30" □ 609mm / 24"
Resources	no-rock.com/product/sol

PACKAGING

Carton	550 x 550 x 100mm / 21.7 x 21.7 x 3.9" x Box 1 83 x 84 x 1040mm / 3.3 x 3.3 x 41.0" x Box 2
Gross weight	12.9kg / 28.4lbs

STANDARD COLOR RANGE

Sandstone Black



NR MARKETING PTY LTD
NOROCK USA LLC

JULY 2024

All product information is correct at the time of printing but may be subject to change without notice. For the latest information please visit our website.